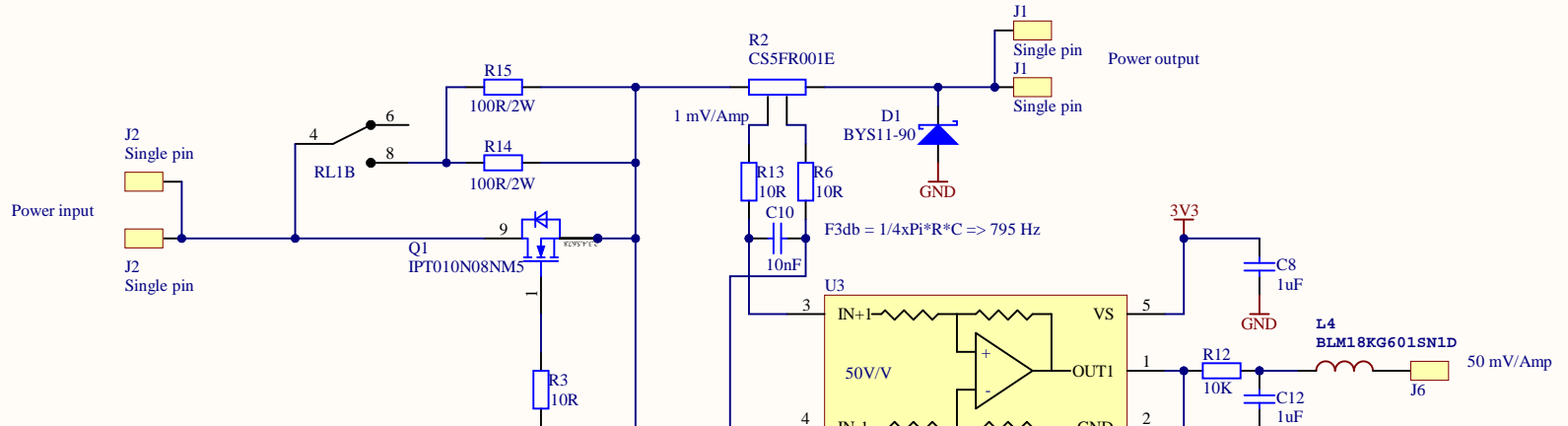
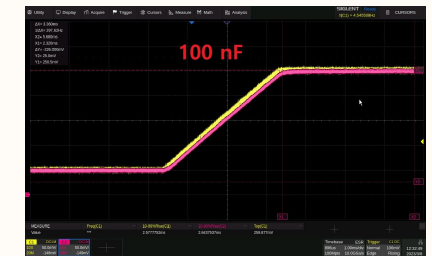


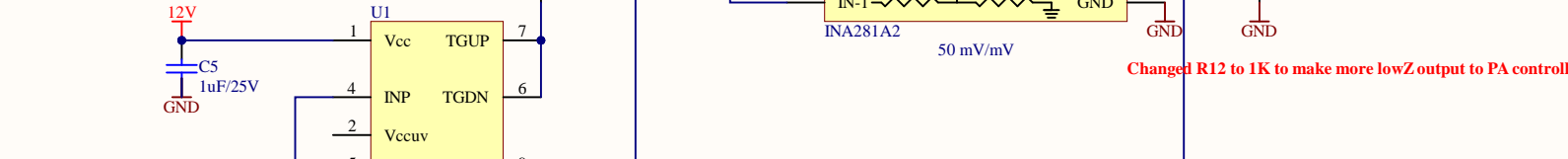
A



C11 100 nF: (Yellow J6, purple U2-3)



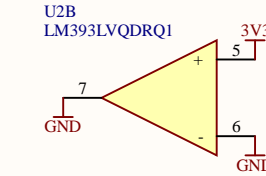
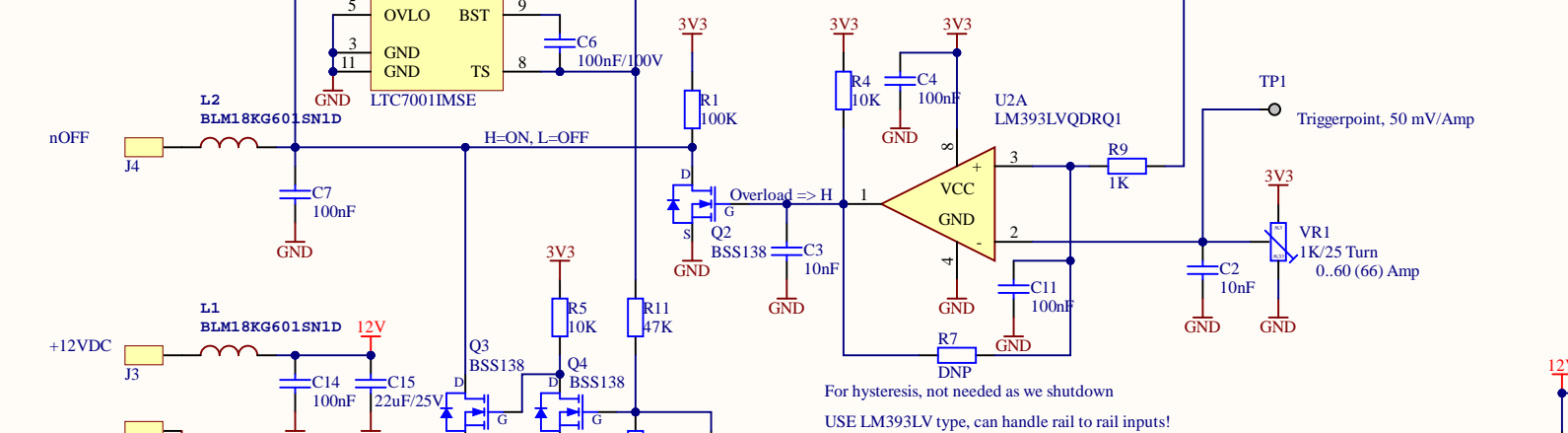
B



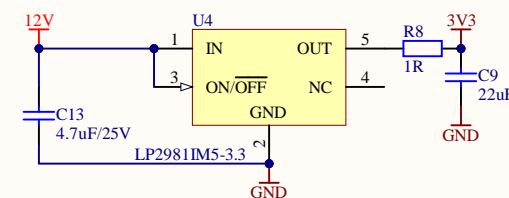
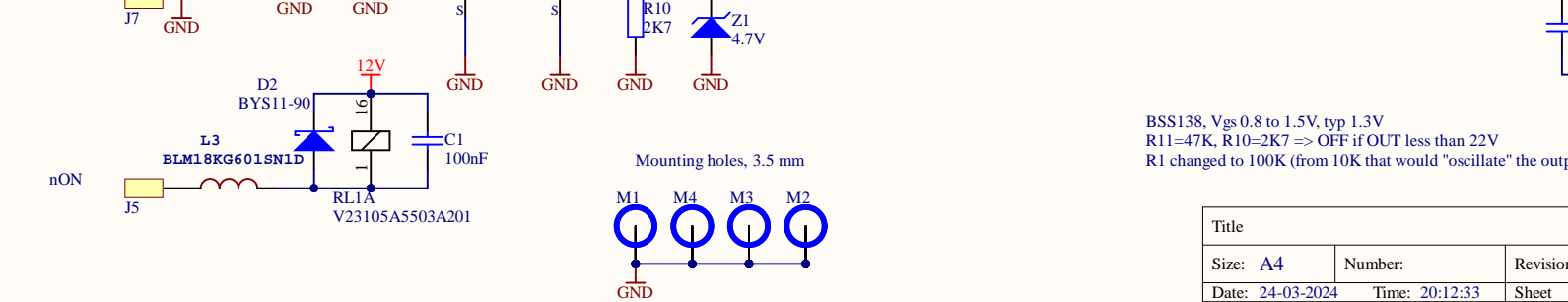
C11 1 uF: (Yellow J6, purple U2-3)



C



D



| | | | |
|----------------------------------------------------------------------|----------------|-----------|-----------|
| Title | | | Carsten G |
| Size: A4 | Number: | Revision: | *Denmark |
| Date: 24-03-2024 | Time: 20:12:33 | Sheet of | |
| File: D:\PRJ\Altium projects\PA overcurrent protection\Sheet2.SchDoc | | | |

